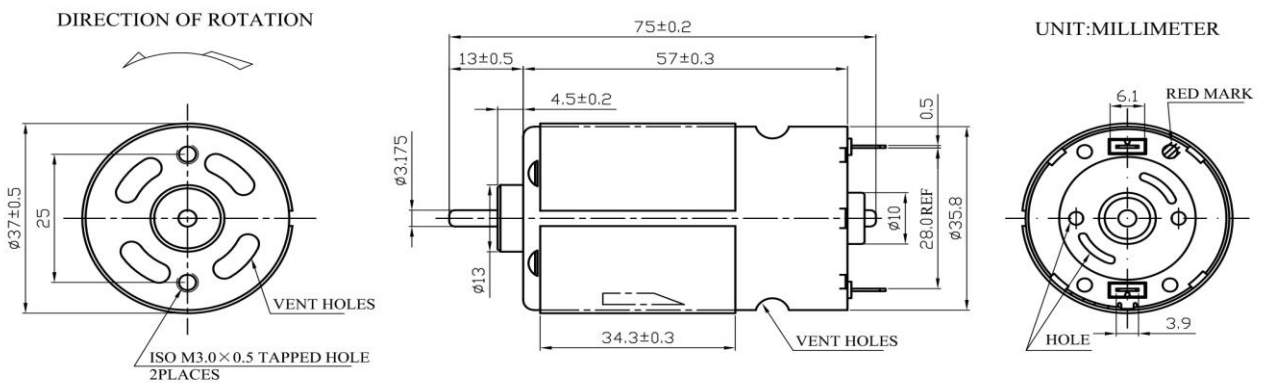
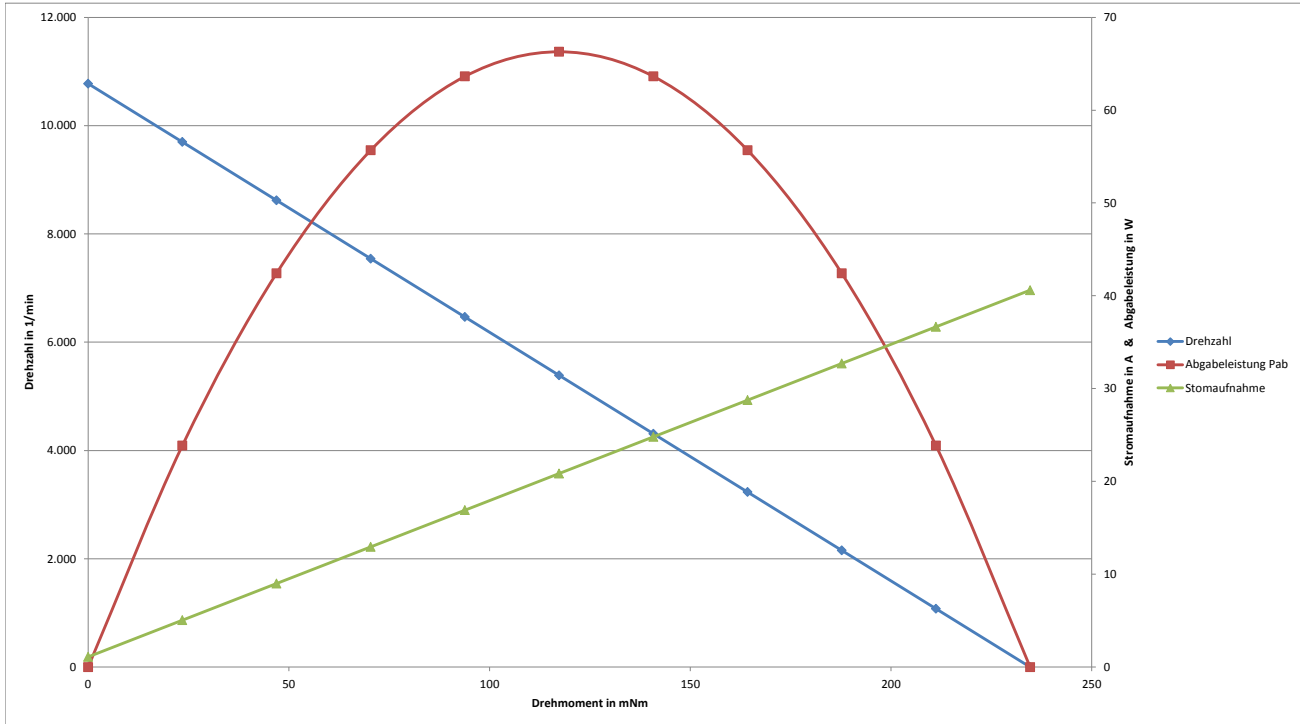


MODEL	VOLTAGE		NO LOAD		AT MAXIMUM EFFICIENCY				STARTING		max. OUTPUT POWER W	POLES	CAPACITOR	BRUSHES
	Operating Range	Nominal	Speed	Current	Speed	Current	Torque	Output Power	Current	Torque				
	VDC	VDC	rpm	A	rpm	A	mNm	W	A	mNm				
SR550SHP-6527P-75+C	6,0-8,0	7,2	10.775	1,10	9.252	6,68	33,16	33,58	40,61	234,66	69,19	3	2x47nF	carbon



Irrtum und Druckfehler vorbehalten / Errors and Omissions excepted