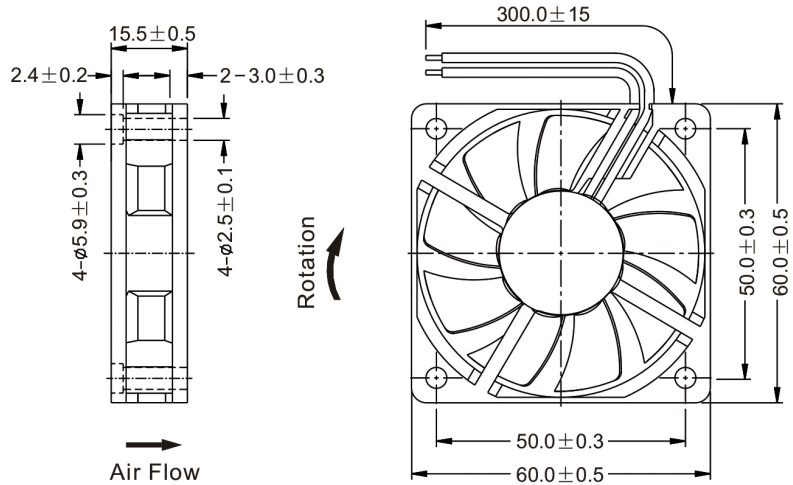


■ Dimensions Drawing



Unit: mm

General Specification:

- Frame and Impeller : Thermal Plastic , UL 94V-0
- Lead Wires : UL Type
(+) : Red (-) : Black
- Operation Temperature : -10°C~70°C、
35%~85%RH
- Storage Temperature : -40°C~80°C、
35%~85%RH

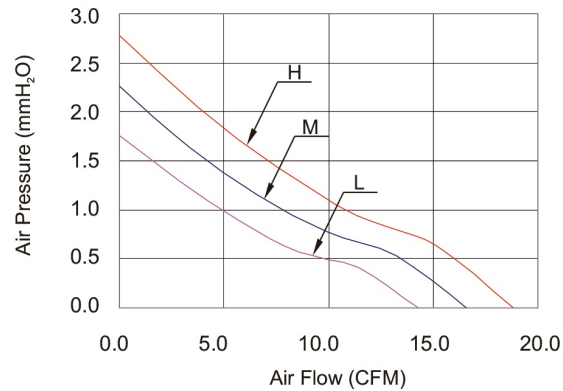


(5V、12V)



(24V)

■ Performance Curves



| Listed Model | Bearing System | Rated Voltage | Operation Voltage | Rated Current | Rated Speed | Air Flow | Air Pressure | Noise Level | Available Features (Optional) | | | | Weight |
|--------------|----------------|---------------|-------------------|---------------|-------------|----------|--------------------|-------------|-------------------------------|-------------------|-----------------|------------------------|--------|
| | | VDC | VDC | A | RPM | CFM | mmH ₂ O | dBA | Tachometer Output | Rotation Detector | Thermal Control | Pulse Width Modulation | g |
| RDH6015S5 | Sleeve | 5 | 3.5~5.75 | 0.40 | 4,500 | 18.8 | 2.8 | 32 | • | • | | | 34 |
| RDM6015S5 | | | 3.5~5.75 | 0.25 | 4,000 | 16.6 | 2.3 | 30 | • | • | | | |
| RDL6015S5 | | | 3.5~5.75 | 0.15 | 3,500 | 14.3 | 1.8 | 26 | • | • | | | |
| RDH6015B5 | Ball | | 3.5~5.75 | 0.40 | 4,500 | 18.8 | 2.8 | 32 | • | • | | | |
| RDM6015B5 | | | 3.5~5.75 | 0.25 | 4,000 | 16.6 | 2.3 | 30 | • | • | | | |
| RDL6015B5 | | | 3.5~5.75 | 0.15 | 3,500 | 14.3 | 1.8 | 26 | • | • | | | |
| RDH6015S1 | Sleeve | 12 | 6.0~13.8 | 0.17 | 4,500 | 18.8 | 2.8 | 32 | • | • | • | • | 34 |
| RDM6015S1 | | | 6.0~13.8 | 0.15 | 4,000 | 16.6 | 2.3 | 30 | • | • | • | • | |
| RDL6015S1 | | | 6.0~13.8 | 0.11 | 3,500 | 14.3 | 1.8 | 26 | • | • | • | • | |
| RDH6015B1 | Ball | | 6.0~13.8 | 0.17 | 4,500 | 18.8 | 2.8 | 32 | • | • | • | • | |
| RDM6015B1 | | | 6.0~13.8 | 0.15 | 4,000 | 16.6 | 2.3 | 30 | • | • | • | • | |
| RDL6015B1 | | | 6.0~13.8 | 0.11 | 3,500 | 14.3 | 1.8 | 26 | • | • | • | • | |
| RDH6015S2 | Sleeve | 24 | 12.0~27.6 | 0.15 | 4,500 | 18.8 | 2.8 | 32 | • | • | | | 34 |
| RDM6015S2 | | | 12.0~27.6 | 0.10 | 4,000 | 16.6 | 2.3 | 30 | • | • | | | |
| RDL6015S2 | | | 12.0~27.6 | 0.08 | 3,500 | 14.3 | 1.8 | 26 | • | • | | | |
| RDH6015B2 | Ball | | 12.0~27.6 | 0.15 | 4,500 | 18.8 | 2.8 | 32 | • | • | | | |
| RDM6015B2 | | | 12.0~27.6 | 0.10 | 4,000 | 16.6 | 2.3 | 30 | • | • | | | |
| RDL6015B2 | | | 12.0~27.6 | 0.08 | 3,500 | 14.3 | 1.8 | 26 | • | • | | | |