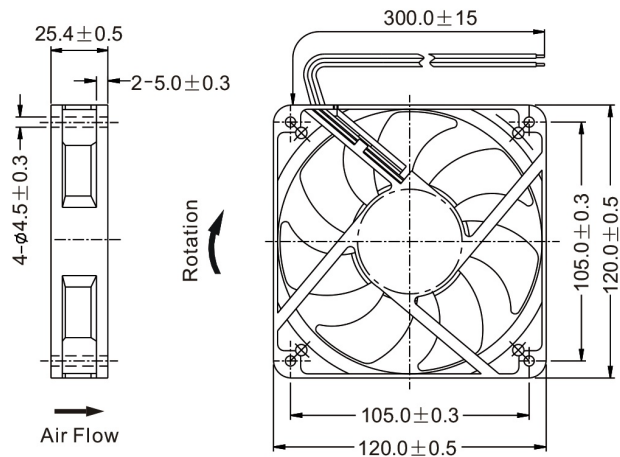


■ Dimensions Drawing



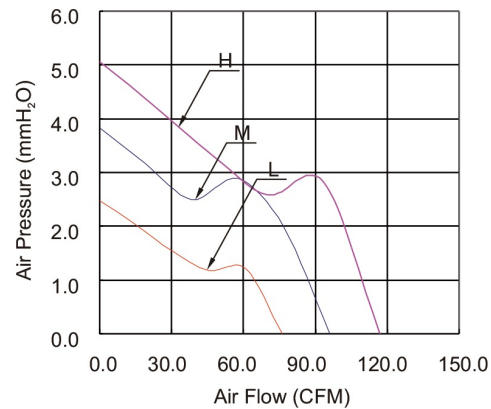
Unit: mm

General Specification:

- Frame and Impeller : Thermal Plastic , UL 94V-0
- Lead Wires : UL Type
(+) : Red (-) : Black
- Operation Temperature : -10°C~70°C、
35%~85%RH
- Storage Temperature : -40°C~80°C、
35%~85%RH



■ Performance Curves



Listed Model	Bearing System	Rated Voltage	Operation Voltage	Rated Current	Rated Speed	Air Flow	Air Pressure	Noise Level	Available Features (Optional)				Weight g
		VDC	VDC	A	RPM	CFM	mmH ₂ O	dBA	Tachometer Output	Rotation Detector	Thermal Control	Pulse Width Modulation	
RDH1225B4	Ball	48	24.0~55.2	0.30	3,000	116.8	5.0	45	•	•		•	164
RDM1225B4			24.0~55.2	0.24	2,500	96.1	3.8	40	•	•		•	
RDL1225B4			24.0~55.2	0.15	2,000	76.2	2.4	34	•	•		•	
RDH1225S4	Sleeve		24.0~55.2	0.30	3,000	116.8	5.0	45	•	•		•	
RDM1225S4			24.0~55.2	0.24	2,500	96.1	3.8	40	•	•		•	
RDL1225S4			24.0~55.2	0.15	2,000	76.2	2.4	34	•	•		•	
RDH1225B6	Ball	60	36.0~72.0	0.30	3,000	116.8	5.0	45	•	•		•	