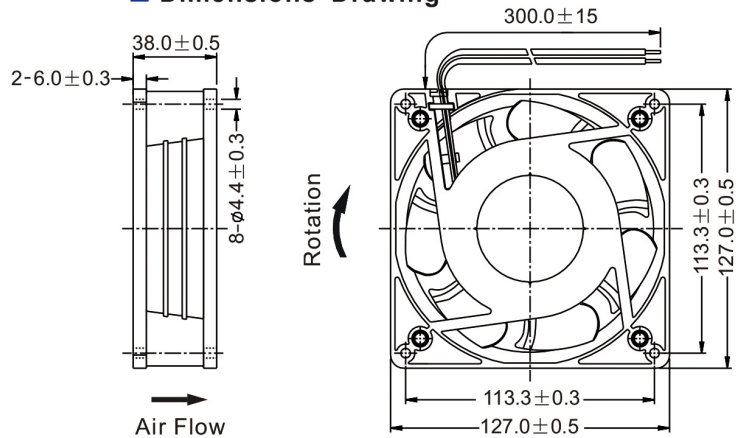




### ■ Dimensions Drawing

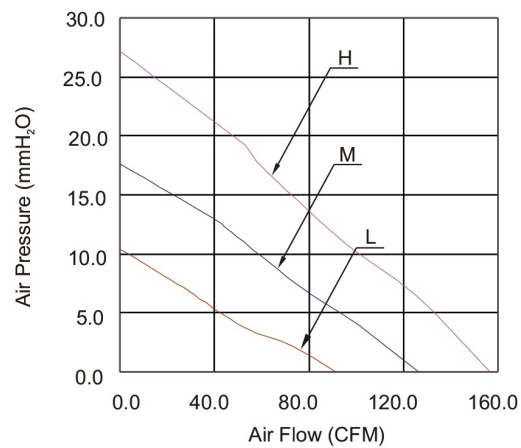


Unit: mm

### General Specification:

- Frame and Impeller : Thermal Plastic , UL 94V-0
- Lead Wires : UL Type  
(+) : Red (-) : Black
- Operation Temperature : -10°C~70°C、  
35%~85%RH
- Storage Temperature : -40°C~80°C、  
35%~85%RH

### ■ Performance Curves



Listed Model	Bearing System	Rated Voltage	Operation Voltage	Rated Current	Rated Speed	Air Flow	Air Pressure	Noise Level	Available Features (Optional)				Weight g
		VDC	VDC	A	RPM	CFM	mmH <sub>2</sub> O	dBA	Tachometer Output	Rotation Detector	Thermal Control	Pulse Width Modulation	
RDH12738B1	Ball	12	7.0~13.8	2.80	5,000	156.8	27.2	60	•	•	•	•	375
RDM12738B1			7.0~13.8	1.80	4,000	126.5	17.6	55	•	•	•	•	
RDL12738B1			7.0~13.8	1.00	3,000	91.4	10.4	50	•	•	•	•	
RDH12738B2	Ball	24	12.0~27.6	1.50	5,000	156.8	27.2	60	•	•	•	•	
RDM12738B2			12.0~27.6	0.90	4,000	126.5	17.6	55	•	•	•	•	
RDL12738B2			12.0~27.6	0.50	3,000	91.4	10.4	50	•	•	•	•	
RDH12738B4	Ball	48	24.0~55.2	0.70	5,000	156.8	27.2	60	•	•	•	•	
RDM12738B4			24.0~55.2	0.40	4,000	126.5	17.6	55	•	•	•	•	
RDL12738B4			24.0~55.2	0.25	3,000	91.4	10.4	50	•	•	•	•	