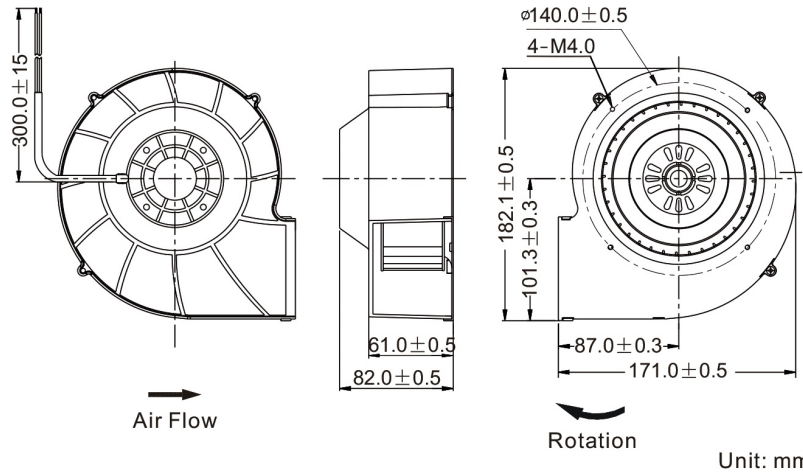


■ Dimensions Drawing



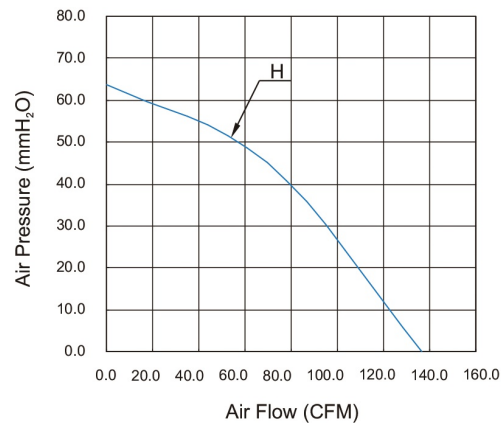
Unit: mm

General Specification:

- Frame and Impeller : Thermal Plastic , UL 94V-0
- Lead Wires : UL Type
(+) : Red (-) : Black
- Operation Temperature : -10°C ~ 70°C ,
35% ~ 85%RH
- Storage Temperature : -40°C ~ 80°C ,
35% ~ 85%RH



■ Performance Curves



Listed Model	Bearing System	Rated Voltage	Operation Voltage	Rated Current	Rated Speed	Air Flow	Air Pressure	Noise Level	Available Features (Optional)				Weight
		VDC	VDC	A	RPM	CFM	mmH ₂ O	dBA	Tachometer Output	Rotation Detector	Thermal Control	Pulse Width Modulation	g
RBH1881B2	Ball	24	12.0~27.6	2.2	2,000	136.8	63.8	63	•	•	•	•	926
RBH1881B4		48	24.0~55.2	1.1	2,000	136.8	63.8	63	•	•	•	•	