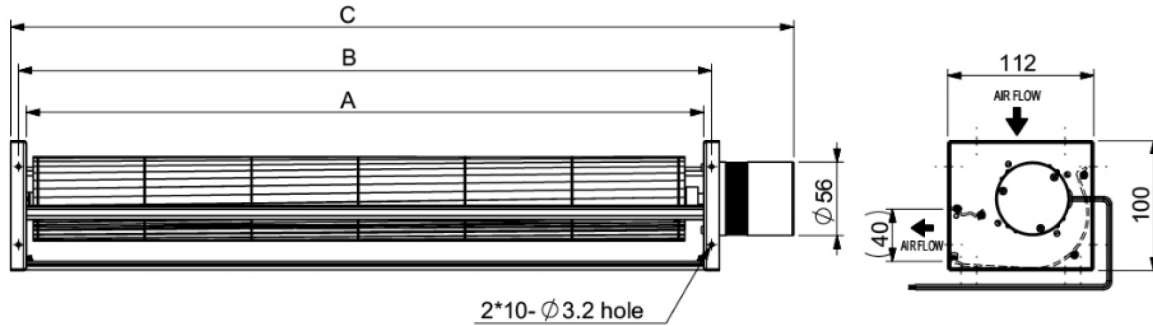




CD065G- Series



- Size : $\varnothing 65\text{mm}$
- Housing / Impeller : Aluminum / Aluminum
- Motor : DC Brushless 3-Phase Motor
- Operating Temperature : $0^{\circ}\text{C} \sim +45^{\circ}\text{C}$
- Insulation : Class A



Model Number	Size (mm)			Voltage (V)	Current (A)	Power (W)	Speed (RPM)	Max Pressure (mmAq)	Air Flow (CFM)	Noise (dB(A))	Weight (g)
	A	B	C								
① CD06530V12B3HWG	315	327	373	12	1.27	15.24	1700	4.40	187	49	1000
① CD06530V24B3HWG				24	0.60	14.40					
② CD06536V12B3HWG	375	387	433	12	1.44	17.28	1600	4.20	219	48	1100
② CD06536V24B3HWG				24	0.70	16.80					
③ CD06542V12B3HWG	435	447	493	12	1.49	17.88	1550	4.00	230	47	1200
③ CD06542V24B3HWG				24	0.71	17.04					
④ CD06550V24B3HWG	520	532	601	24	1.20	28.80	1850	5.30	343	54	1400
⑤ CD06560V24B3HWG	620	632	701	24	1.32	31.68	1700	4.90	396	50	1600
⑥ CD06570V24B3HWG	720	732	801	24	1.38	33.12	1650	4.80	445	50	1700
⑦ CD0654242V24B4HWG	880	892	961	24	1.45	34.80	1600	4.60	477	48	2000

